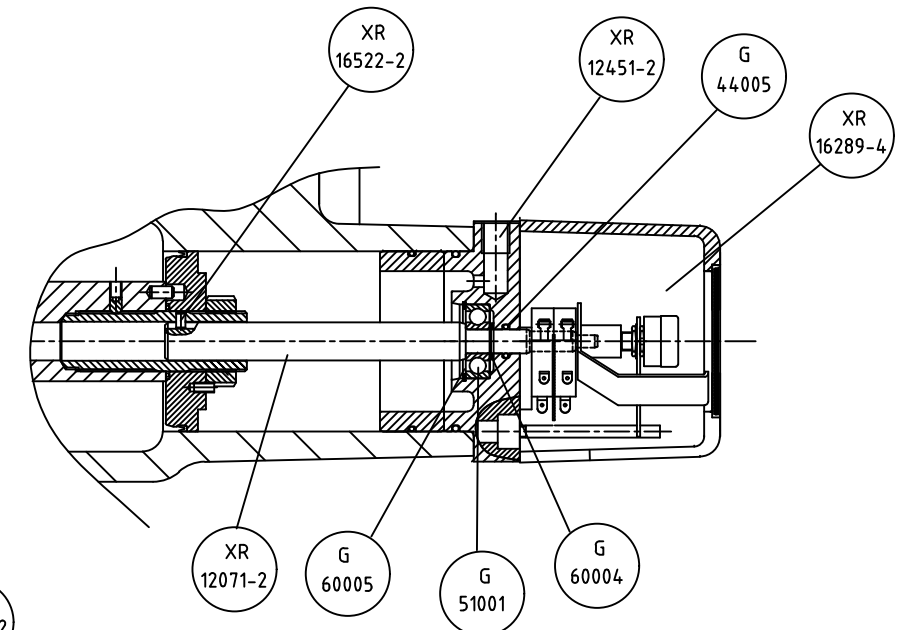
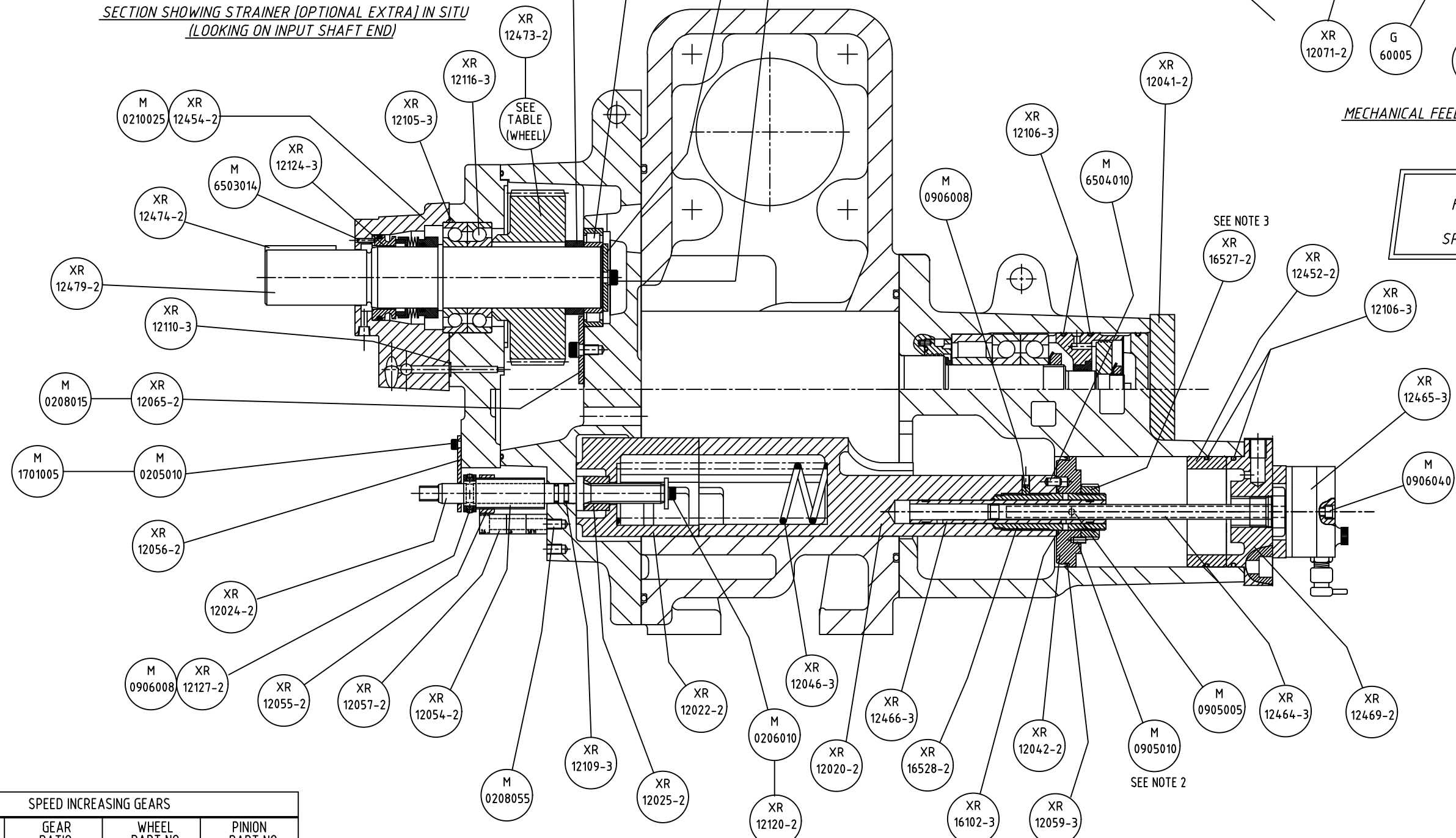


SECTION SHOWING STRAINER [OPTIONAL EXTRA] IN SITU  
(LOOKING ON INPUT SHAFT END)



MECHANICAL FEED BACK APPLICATION

O-RINGS SPECIFIED ON THIS DRAWING ARE FOR NEOPRENE APPLICATIONS ONLY  
O-RINGS FOR VITON APPLICATIONS ARE SPECIFIED ON CONTRACT BOM



- GENERAL NOTES**
- FOR ARRANGEMENT OF CAPACITY CONTROL WITH POTENTIOMETER [AS SHOWN] SEE DRAWING XR16289-0 AND ASSEMBLY INSTRUCTIONS.
  - WHEN FITTING ANTI-ROTATION GRUB SCREW M0905010, DO NOT DRILL HOLE AT 'TOP' OR 'BOTTOM' OF PISTON DUE TO RISK OF BREAKING THROUGH INTO Ø6 HOLES.
  - LOCKNUT TO BE TORQUED TO 80Nm
- ASSEMBLY INSTRUCTIONS FOR VI POSITION INDICATOR**
- TURN SLIDE STOP STEM [XR12024-2] FULLY CLOCKWISE TO POSITION SLIDE STOP AT THE Vi=2.6 SETTING.
  - SECURE INDICATOR [XR12057-2] TO THE GEARBOX USING SCREW [M0208055].
  - SCREW POINTER [XR12055-2] ONTO SLEEVE [XR12054-2] TO A POSITION WHERE OUTSIDE FACE OF POINTER IS APPROXIMATELY 1MM FROM START OF SPIGOT.
  - POSITION RETAINING RING [XR12127-2] ON SLEEVE ENSURING HOLES LINE UP WITH HOLES IN SLEEVE. SLIP BOTH RING AND SLEEVE ONTO STEM UNTIL TOP FACE OF POINTER IS FLUSH WITH TOP OF INDICATOR.
  - POSITION RETAINING RING WITH SCREW HOLES HORIZONTAL ENSURING THAT POINTER IS APPROXIMATELY FLUSH WITH TOP OF INDICATOR. DIMPLE DRILL STEM IN UNDERCUT DIAMETER TO TAKE GRUB SCREWS [M0906008].
  - TURN STEM ANTI-CLOCKWISE TO MOVE STOP OVER ITS FULL TRAVEL TO THE Vi=5.0 POSITION.  
(i.e. 9.5 TURNS FOR 38 MM LINEAR TRAVEL).

DO NOT SCALE FROM DRAWING.

SPEED INCREASING GEARS			
COMPRESSOR DESIGNATION	GEAR RATIO	WHEEL PART NO	PINION PART NO
XR127165-R5	1.963	XR12026-2	XR12027-2
XR127165-R4	1.667	XR12028-2	XR12029-2
XR127165-R3	1.353	XR12030-2	XR12031-2

MOD.	ZONE	MODIFICATION	SIGN DATE	MOD.	ZONE	MODIFICATION	SIGN DATE	MOD.	ZONE	MODIFICATION	SIGN DATE
9				6				3			
8				5				2			
7				4				1			

UNLIMITED MACHINED SIZES TO BE WITHIN ± 0.250

THIS DRAWING IS CONFIDENTIAL AND IS THE PROPERTY OF HOWDEN COMPRESSORS LTD. THE DRAWING OR ANY PART THEREOF MUST NOT BE COPIED OR OTHERWISE REPRODUCED, OR DIVULGED TO ANY OTHER PARTY, OR USED FOR MANUFACTURE OR ANY OTHER PURPOSE WITHOUT THE EXPRESS WRITTEN PERMISSION OF THE COMPANY.

DRN. R Mc  
CHKD. H.D.A.  
DATE 15/05/01

SCALE: - 1:2  
DRAWING No. XR12663-0

HOWDEN COMPRESSORS LIMITED, GLASGOW, U.K.